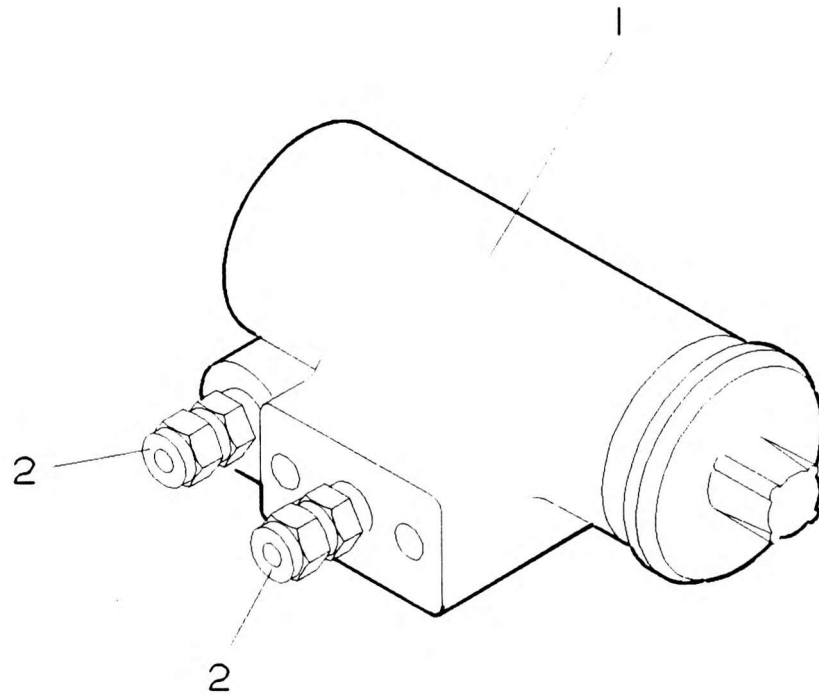


VALVE GOVERNOR SUB ASSEMBLY



NO.	PART NO.	QTY.	DESCRIPTION	NO.	PART NO.	QTY.	DESCRIPTION
-----	----------	------	-------------	-----	----------	------	-------------

1 +	8350755	1	Valve Governor				
2	7-443-990961	2	Adaptor $\frac{1}{8}$ " NPTF x $\frac{1}{4}$ " Tube				

+ See further breakdown in this group